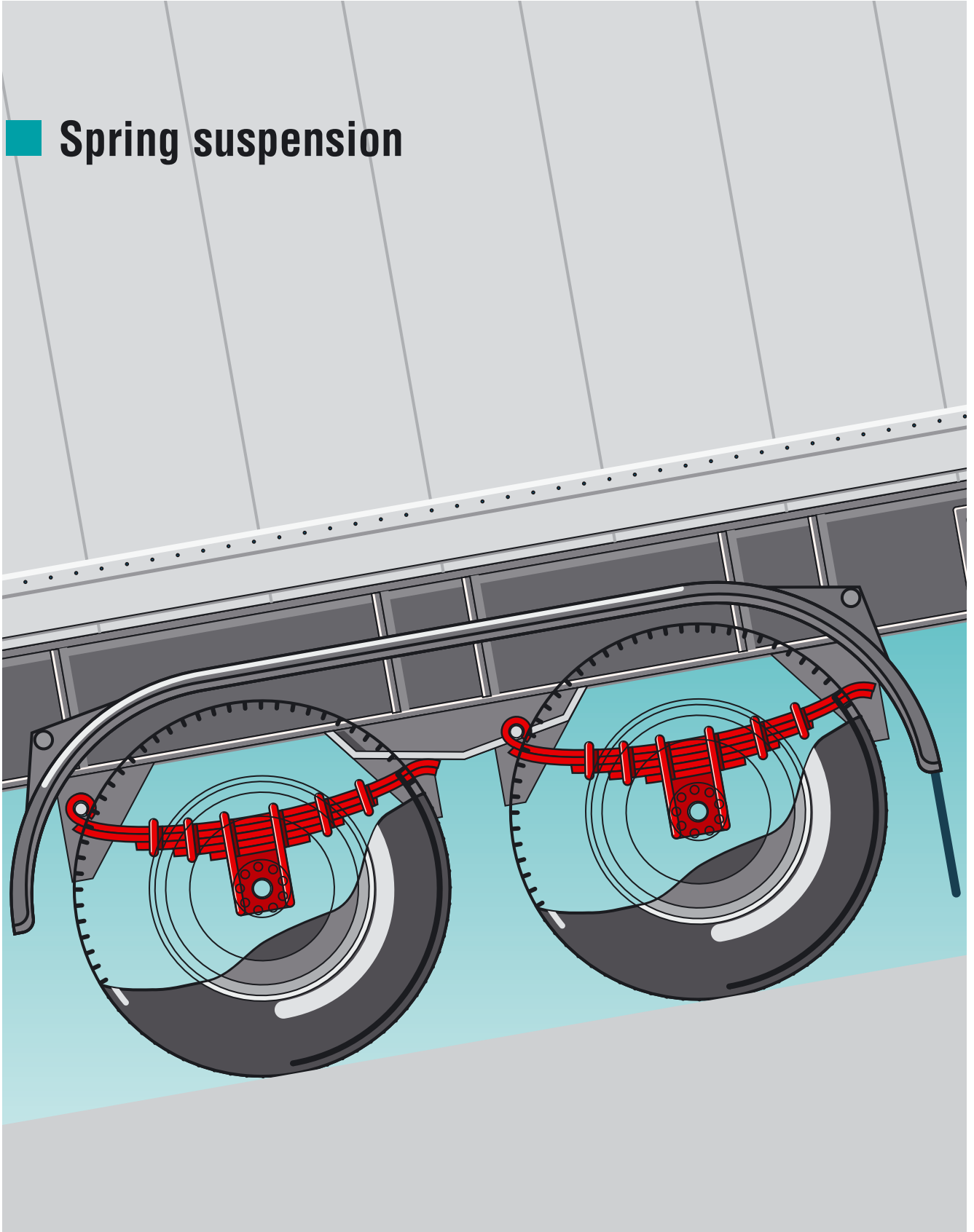


TITGEMEYER^{GTO}

YOUR SOLUTION

■ Spring suspension



All rights reserved.

The technical data quoted in this catalogue, performance descriptions, recommendations and instructions e.g. for the installation of the components available from us, are without liability. These are based on our experience.

Claims against us as a consequence are expressly excluded as much of the application of our goods remains outside our direct influence.

It is a fundamental obligation of the user to ascertain and to decide whether the goods provided by us are appropriate for a particular application.

This catalogue is our intellectual property! Disclosure to third parties is prohibited.

Reproduction – even in part – as well as use of our illustrations and TITGEMEYER part-numbering systems is only permitted with our express permission in writing.

Subject to change.

Supply of goods is in conformity with our delivery and payment conditions.

Gebr. TITGEMEYER GmbH & Co. KG
Osnabrück

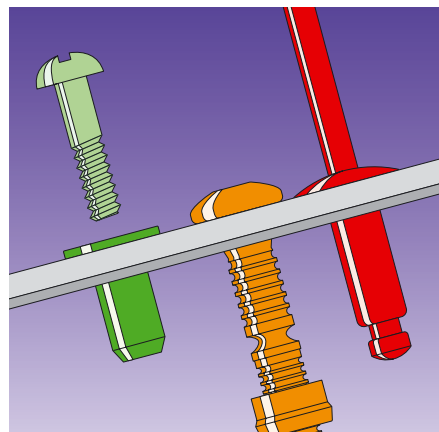
Over 100 years of tradition and expertise

At the turn of the century, an ironware wholesale business was established by the two Titgemeyer brothers, Adolf and Fritz, in their hometown of Melle. A few years later, offices were opened in the neighbouring town of Osnabrück. Since then, the business enterprise group TITGEMEYER has continuously developed and is today a leader in the fields of fastening technology and commercial vehicle equipment. The medium sized family organization is now led by the third generation - always with the aim of supplying the optimum solution for the customer - from single fixings, right up to complex vehicle systems.



Fastening Technology

The more varied the requirements, the more individual our solution is. The result: an extensive product range of fastening technology systems and solutions. New products are constantly being developed, as the manufacturing industry demands specially designed solutions. TITGEMEYER introduced the POP® blind rivet to the German market. Its application revolutionised traditional fastening technology.



The TITGEMEYER fastening technology product range

- Blind Rivets
- Threaded Inserts
- Assembly Systems
- Installation Tools
- Sealants and Adhesives

Vehicle components with style

The ideas and wishes of our customers are our benchmark. That is why we carefully develop approved products and systems for the manufacture of modern commercial vehicles. Safety, cost effectiveness and the environment – these requirements are all satisfied by our product range. The original and innovative body kit system, GETO Van®, is only one of many system solutions available from TITGEMEYER today.



The TITGEMEYER commercial vehicle product range

- Body Kits
- Chassis Technology
- Bodywork Components
- Bodywork Systems

Chassis technology	Spring suspension	Spring saddles	16.01.01
		Spring bolt	16.02.01

Content

168 934 000.....16.01.01.1
168 935 000.....16.01.01.1
168 945 000.....16.01.01.2
168 947 000.....16.01.01.2
168 951 000.....16.01.01.2
168 953 000.....16.01.01.2
168 955 000.....16.01.01.2
168 957 000.....16.01.01.2
168 959 000.....16.01.01.2
168 960 001.....16.01.01.2
168 967 000.....16.01.01.3
168 973 000.....16.01.01.3
168 982 000.....16.01.01.3

169 019 000.....16.01.01.1
169 021 000.....16.01.01.1
169 023 000.....16.01.01.1
169 024 000.....16.01.01.1
169 062 000.....16.01.01.4
169 064 000.....16.01.01.5
169 078 000.....16.01.01.4
169 079 000.....16.01.01.4
169 082 000.....16.01.01.4
169 084 000.....16.01.01.5
169 086 000.....16.01.01.5

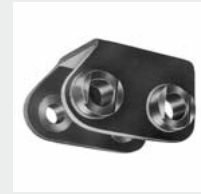
169 112 000.....16.02.01.2
169 116 000.....16.02.01.2
169 120 000.....16.02.01.2
169 124 000.....16.02.01.2
169 140 000.....16.02.01.2
169 191 000.....16.02.01.1

169 211 000.....16.02.01.1
169 282 000.....16.02.01.1
169 287 000.....16.02.01.1
169 289 000.....16.02.01.1
169 291 000.....16.02.01.1

169 347 000.....16.02.01.1
169 349 000.....16.02.01.1
169 351 000.....16.02.01.1
169 353 000.....16.02.01.1
169 365 000.....16.02.01.1
169 369 000.....16.02.01.1

169 438 000.....16.02.01.2
169 454 000.....16.02.01.2
169 474 000.....16.02.01.2
169 481 000.....16.02.01.2

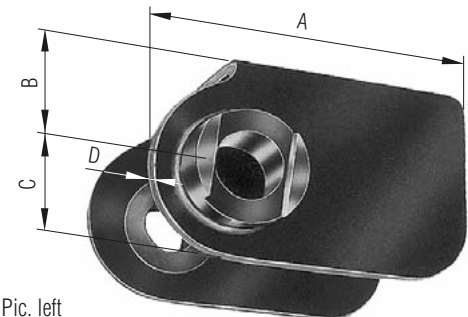
169 538 000.....16.02.01.3
169 540 000.....16.02.01.3
169 546 000.....16.02.01.3
169 550 000.....16.02.01.3
169 556 000.....16.02.01.3
169 564 000.....16.02.01.3
169 566 000.....16.02.01.3
169 572 000.....16.02.01.3
169 578 000.....16.02.01.3
169 580 000.....16.02.01.3



Forked draw-bar saddles

For non-sprung vehicles or for separate forked draw-bar mounting

Material: Steel S 235 J0



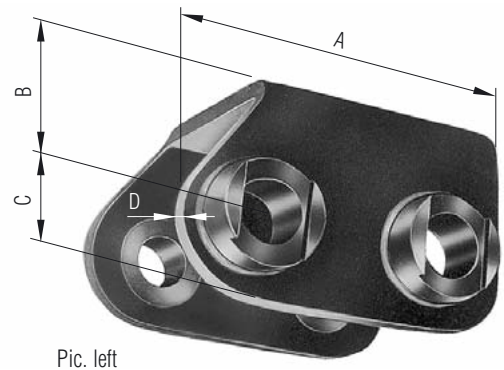
Pic. left

168 019 000 –
168 024 000

Spring saddles

With forked draw-bar eye rings and welded-on spring-saddle bushes

Material: Steel S 235 J0



Pic. left

168 934 000
168 935 000

Heavy-duty configuration for trailers designed for speeds above 25 km/h (15 mph)

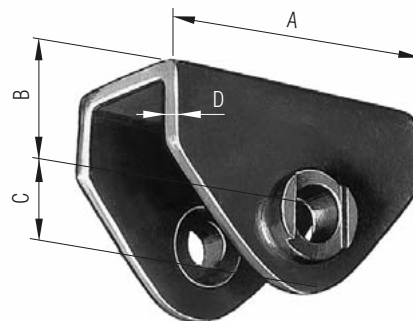
Spring width [mm]	Dimensions				Compatible spring bolts Part No.	Weight approx. [kg]	Article No.	
	A [mm]	B [mm]	C [mm]	D [mm]			left	right
60	80	45	22	6	169 112 000	0.6	169 023 000	169 024 000
60	120	45	28	6	169 112 000	1.2	169 021 000	169 019 000
100	230	60	40	12	169 124 000	6.25	168 935 000	168 934 000

16.01.01.2
Chassis technology
Spring suspension
Spring saddles

Spring saddles

Low profile, with welded-on bushes

Material: Steel S 235 JO



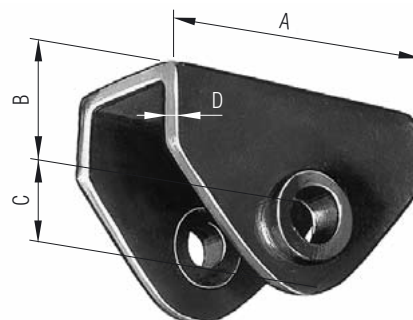
Spring width [mm]	Dimensions				Compatible spring bolts Part No.	Weight approx. [kg]	Article No.
	A [mm]	B [mm]	C [mm]	D [mm]			
Light configuration for farm carts							
60	120	45	28	6	169 112 000	0.85	168 945 000
70	130	60	30	8	169 116 000	1.90	168 947 000
Heavy-duty configuration for trailers designed for speeds above 25 km/h (15 mph)							
60	130	60	30	8	169 112 000	1.50	168 951 000
70	150	60	30	10	169 116 000	2.25	168 953 000
80	150	60	40	10	169 120 000	3.00	168 955 000
				12	169 120 000	3.50	168 957 000
100	150	60	45	12	169 124 000	3.50	168 959 000

Spring saddles

Low profile, with welded-on bushes

- Bushes on both sides
- Without grooves
- Internal diameter 30 mm
- Compatible with M 30 x 220 mm bolts
- For maintenance-free forked draw-bars with silent bushes

Material: Steel S 235 JO



Heavy-duty configuration for trailers designed for speeds above 25 km/h (15 mph)

Spring width [mm]	Dimensions				Weight approx. [kg]	Article No.
	A [mm]	B [mm]	C [mm]	D [mm]		
100	150	60	40	12	3.5	168 960 001

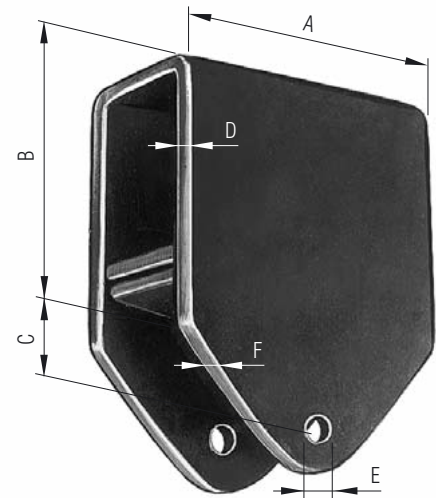
The technical specifications contained in this brochure are approximate and no guarantee is given as to their accuracy. Designs are subject to change.

Spring saddles

With welded-on slide plate

- For trailers designed for speeds above 25 km/h (15 mph)

Material: Steel S 235 J0



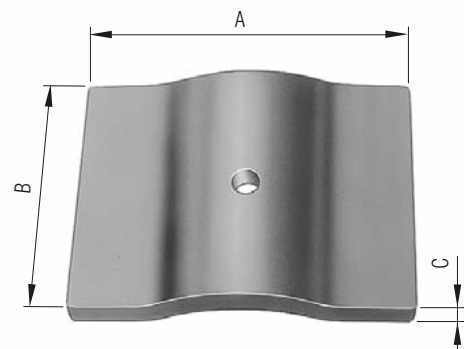
Spring width [mm]	Dimensions						Weight approx. [kg]	Article No.
	A [mm]	B [mm]	C [mm]	D [mm]	E [mm]	F [mm]		
80	150	120	50	10	17	10	6.5	168 967 000
100	150	131	44	12	17	10	8.5	168 973 000

Slide plates

For spring saddles

Material: Steel S 235 J0

Spring width [mm]	Dimensions			Weight approx. [kg]	Article No.
	A [mm]	B [mm]	C [mm]		
80	130	80	9	0.75	168 982 000



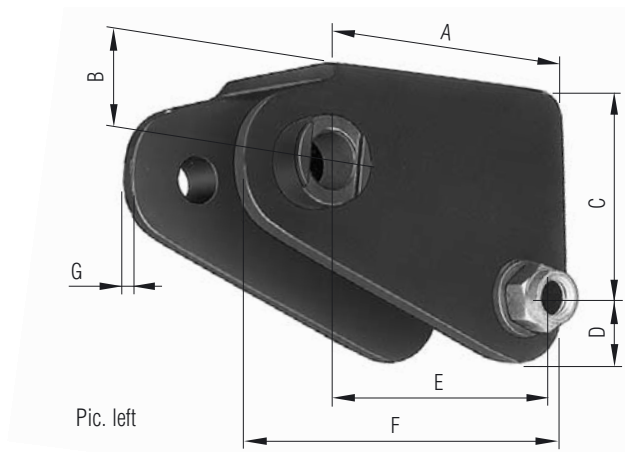
16.01.01.4
 Chassis technology
 Spring suspension
Spring saddles

Spring saddles for parabolic springs

With forked draw-bar eye rings and welded-on bushes

- Complete with M 24 steel bolt and locking nut for spring attachment. Note that only type-compatible spring bolts must be used for forked draw-bar mounting purposes (please order separately)

Material: Steel S 235 JO



High configuration

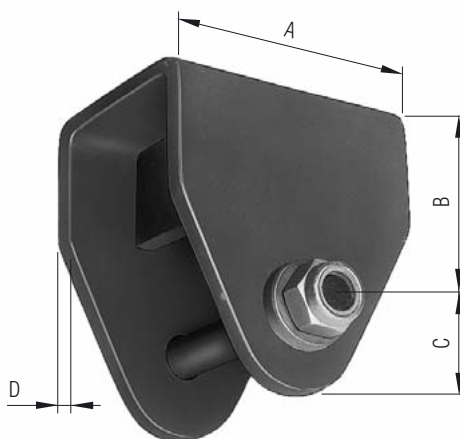
Spring width [mm]	Dimensions							Compatible spring bolts Part No.	Weight approx. [kg]	Article No.	
	A [mm]	B [mm]	C [mm]	D [mm]	E [mm]	F [mm]	G [mm]			left	right
100	225	60	200	40	150	290	12	169 124 000	12.0	169 078 000	169 079 000

Spring saddles for parabolic springs

With welded-on bushes, complete with M 24 steel bolt and locking nut for spring attachment

Material: Steel S 235 JO

Spring width [mm]	Dimensions				Weight approx. [kg]	Article No.
	A [mm]	B [mm]	C [mm]	D [mm]		
Normal configuration						
100	150	130	40	12	6.5	169 062 000
High configuration						
100	200	200	40	12	9.5	169 082 000



The technical specifications contained in this brochure are approximate and no guarantee is given as to their accuracy. Designs are subject to change.

Spring saddles for parabolic springs

With welded-on slide plate, complete with steel bolt, lock washer and rubber roller

Material: Steel S 235 JO

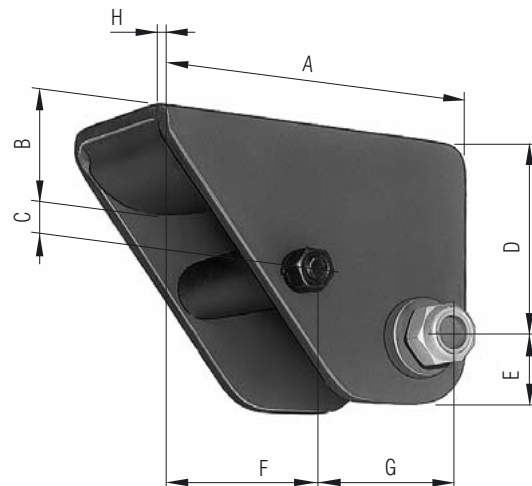
Spring width [mm]	Dimensions					Weight approx. [kg]	Article No.
	A [mm]	B [mm]	C [mm]	D [mm]	E [mm]		
Normal configuration							
100	150	50	95	20	12	5.5	169 064 000
High configuration							
100	150	120	165	20	12	9.0	169 084 000



Spring saddles for parabolic springs

Combined, for axles arranged in tandem, 1300 mm clearance, without compensation, with forked draw-bar eye rings and welded-on bushes, including steel bolt M 24 and locking nut for spring attachment, with welded-on slide plate, including M 16 steel bolt, hexagon nut, lock washer and rubber roller

Material: Steel S 235 JO



High configuration

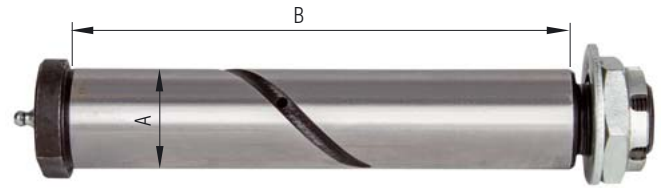
Spring width [mm]	Dimensions									Weight approx. [kg]	Article No.
	A [mm]	B [mm]	C [mm]	D [mm]	E [mm]	F [mm]	G [mm]	H [mm]			
100	215	120	45	200	40	90	85	12	15.0	169 086 000	

16.01.01.6
Chassis technology
Spring suspension
Spring saddles

Spring bolt

- Straight-through, smooth design
- Complete with washer, castellated nut and lubrication nipple

Material: C 45, surface-hardened



Dimensions		Weight approx. [kg/Stück]	Article No.
A [mm]	B [mm]		
14	70	0.130	-
16	65	0.160	-
	70	0.165	-
	80	0.180	-
	85	0.185	169 191 000
	90	0.195	-
18	80	0.240	-
	120	-	-
20	60	-	169 211 000
	70	0.265	-
	80	0.285	-
	85	0.300	-
	90	0.310	-
	95	0.325	-
	100	0.335	-
	110	0.360	-
	120	0.385	-
22	70	0.305	-
24	90	0.460	-
25	70	-	-
	80	0.465	-
	100	0.535	-
	105	-	169 282 000
	110	0.570	-
	120	0.610	-
	125	0.630	-
	130	0.645	169 287 000
	140	0.680	169 289 000
	150	0.700	169 291 000
26	110	0.595	-
	115	-	-
	120	0.640	-
	125	-	-
	130	0.690	-

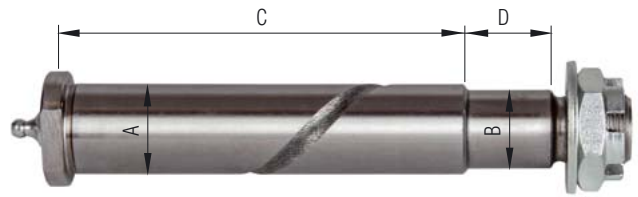
Dimensions		Weight approx. [kg/Stück]	Article No.
A [mm]	B [mm]		
28	120	0.740	-
	125	-	-
	130	0.785	-
	140	0.835	-
	150	0.885	-
	160	0.930	-
	180	0.985	-
	30	80	0.640
30	90	0.690	-
	100	0.785	-
	110	0.835	-
	120	0.885	-
	125	0.910	-
	130	0.935	169 347 000
	135	0.960	-
	140	0.980	169 349 000
	150	1.030	169 351 000
	160	1.080	169 353 000
	170	1.130	-
	180	1.180	-
	190	1.230	-
	200	1.300	-
	35	140	1.340
150		1.420	-
160		1.510	-
180		1.680	-
40	160	2.005	169 365 000
	170	2.060	-
	180	2.180	-
	200	2.400	169 369 000

Other dimensions available at short notice from factory stock.

16.02.01.2
 Chassis technology
 Spring suspension
Spring bolt

Spring bolt

With offset shank (type-compatible spring bolt)
 Complete with washer, castellated nut and lubrication nipple



Type	Spring width [mm]	Dimensions				Weight approx. [kg]	Article No.
		A [mm]	B [mm]	C [mm]	D [mm]		

Normal configuration

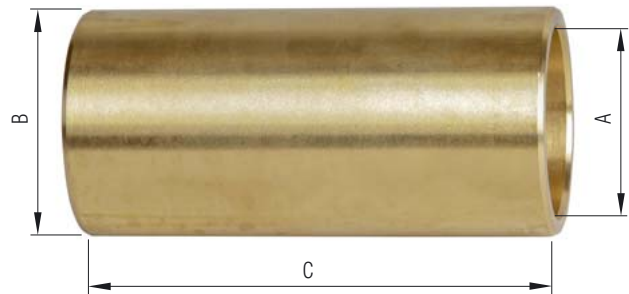
E1	60	24	20	77.5	14.5	0.385	169 112 000
E3	70	26	22	92.5	19.5	0.565	169 116 000
E5	80	28	24	107.5	24.5	0.765	169 120 000
E11	100	30	26	131.5	29.0	1.040	169 124 000

Special configuration

–	100	40	36	131.5	28.5	1.950	169 140 000
---	-----	----	----	-------	------	-------	--------------------

Spring bushes of brass

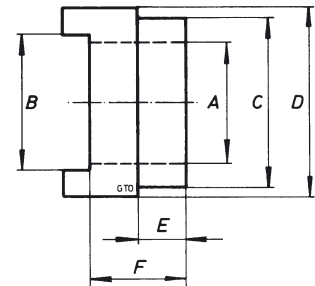
A [mm]	Dimensions		Weight approx. [kg]	Article No.
	B [mm]	C [mm]		
24	30	60	0.130	169 438 000
26	32	70	0.160	169 454 000
30	36	100	0.270	169 474 000
40	50	100	0.475	169 481 000



The technical specifications contained in this brochure are approximate and no guarantee is given as to their accuracy. Designs are subject to change.

Spring-saddle bushes with grooves

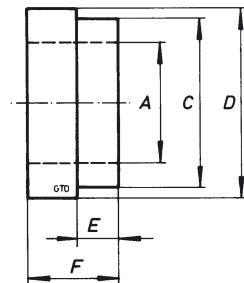
Material: Steel, raw



Dimensions						Compatible spring bolts Part No.	Weight approx. [kg]	Article No.
A [mm]	B [mm]	C [mm]	D [mm]	E [mm]	F [mm]			
24	26,5	36	38	8	16	169 112 000	0.085	169 538 000
25	29,0	38	42	16	24	169 282 000 - 169 291 000	0.140	169 540 000
30	32,5	44	50	12	30	169 124 000	0.255	169 546 000
40	43,0	50	55	12	30	169 140 000	0.210	169 550 000

Spring-saddle bushes without grooves

Material: Steel, raw



Dimensions					Compatible spring bolts Part No.	Weight approx. [kg]	Article No.
A [mm]	C [mm]	D [mm]	E [mm]	F [mm]			
20	36	38	6	16	169 211 000	0.100	169 556 000
24	36	38	8	16	169 120 000	0.100	169 564 000
24	44	48	11	26	169 120 000	0.230	169 566 000
26	44	50	12	30	169 124 000	0.230	169 572 000
30	44	50	12	30	169 347 000 - 169 353 000	0.230	169 578 000
36	50	55	12	30	169 140 000	0.280	169 580 000



■ **Gebr. TITGEMEYER GmbH & Co. KG**

■ Hannoversche Straße 97
■ (Navigation: Hettlicher Masch 2)
■ 49084 Osnabrück, Germany
P.O. Box 43 20
49033 Osnabrück, Germany
Phone: +49 (0)5 41/58 22-0
Fax: +49 (0)5 41/58 22-9910
email: export@titgemeyer.com
www.titgemeyer.com